

## Fresh Living Tip

Help kids make better snack choices by keeping juice boxes and portioned fruit, vegetables, yogurt and other healthy foods within easy reach in Marvel Professional Undercounter Drawers.

## FINISH OPTIONS



## 24" Marvel Professional Refrigerated Drawers

MPDR424

### Storage Adaptability

- 5.0 cu. ft. capacity stores up to (108) 12-oz cans in two large-capacity smooth-glide drawers
- Adjustable divider included in both drawers to keep contents from sliding or falling over when drawer opens

### Cooling Performance

- Dynamic cooling technology delivers rapid cool down, frost-free operation and precise temperature stability
- Thermal-efficient cabinet ensures optimum food preservation and energy efficiency while maximizing capacity

### Convenient Controls

- Multifunction controls allow you to select a precise cabinet temperature from 33°F to 70° F
- Audible alarms for door ajar and high/low temperature ensure your contents stay at optimal temperature
- At the touch of a button, change the interior light color to sapphire blue or arctic white
- Theater-style display lighting gently brightens as door is opened and dims to off when closed

### Fit & Finish

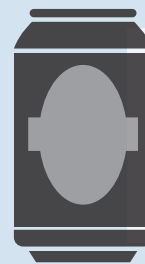
- Interior durably constructed from stainless steel, the most hygienic, easy-to-clean and stain-resistant of materials
- Professional styling: robust full-length handle and stainless steel accents
- Door lock provides added security

### Warranty

- 3-year parts and labor warranty with product registration and 5-year sealed system parts warranty



*This workhorse offers maximum storage capacity within easy reach. Store as many as 108 cans and organize contents with convenient quick-grip dividers. Durably constructed of stainless steel with professional-style accents or available in a panel-ready option for a truly integrated installation.*



Stores up to  
**108**  
12-ounce cans

#### DOOR STYLE

Solid Panel Ready

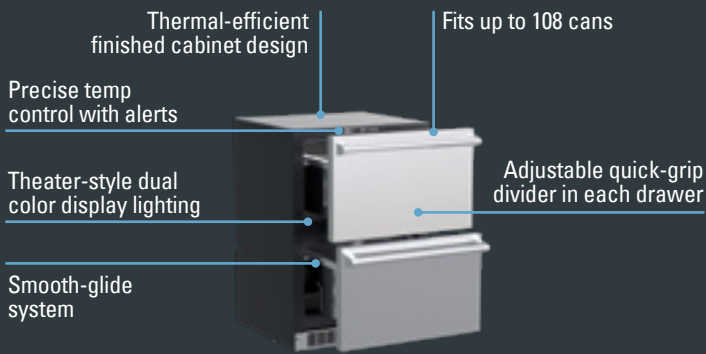
Solid Stainless Steel

#### MODEL NUMBER

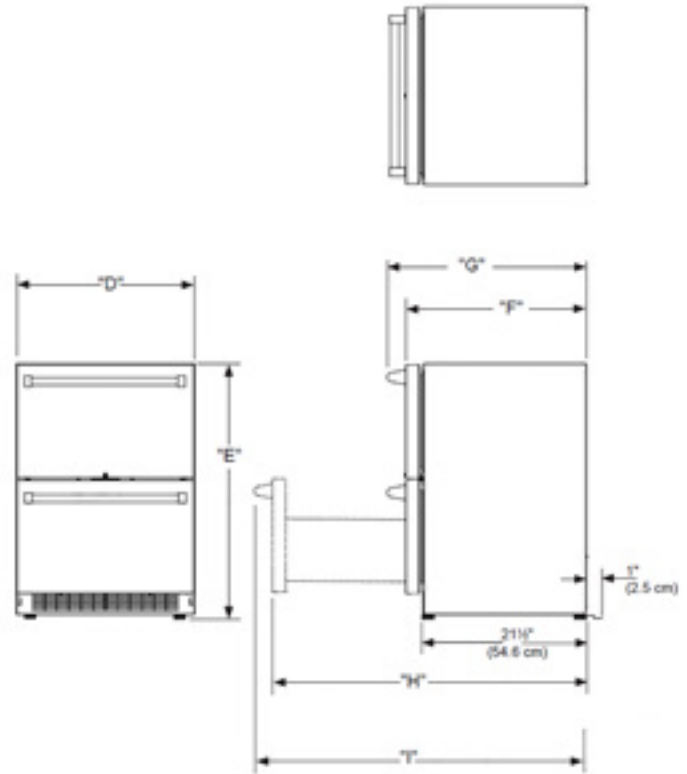
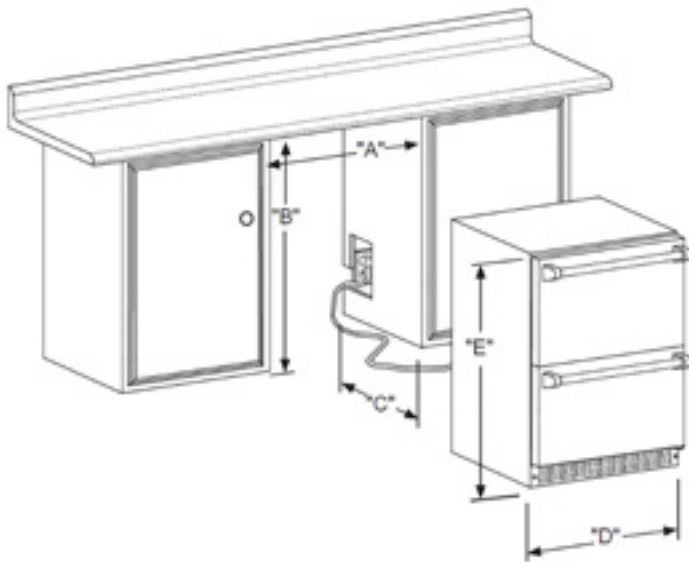
MPDR424-IS71A

MPDR424-SS71A





H: 33 3/4" W: 23 7/8" D: 26 7/32" (with handle)



**Rough In Dimensions\***

"A"	"B"	"C"
24"	34-1/4" to 35-1/4"	24"
(61 CM)	(87 CM to 89.5 CM)	(61 CM)

**Cabinet Dimensions\***

"D"	"E"	"F"	"G"	"H"	"J"
23-7/8"	33-5/8" TO 34-5/8"	23-5/8"*	26-1/8"*	39-5/32"*	26-1/2"*
(60.7 CM)	(85.4 CM TO 87.9 CM)	(60 CM)	(66.3 CM)	(99.5 CM)	(67.3 CM)

\*Stainless steel model dimensions only. For panel-ready models, see the owner's guide online at [marvelrefrigeration.com](http://marvelrefrigeration.com).

<b>Capacity</b>	5 CU. FT.
<b>Control Type</b>	Electronic
<b>Sabbath Mode</b>	Yes
<b>Temperature Range</b>	33°F to 70°F
<b>Handle Style</b>	Professional (handle not included on panel-ready models)
<b>Hinge Type</b>	Soft-Close
<b>Interior Lighting</b>	White + Blue LED
<b>Shelving System</b>	Cantilever
<b>Toe Grille Finish</b>	Stainless Steel (Black on Panel-Ready Models)

<b>Lock</b>	Yes
<b>Electrical Requirements</b>	115V / 60 Hz / 15A
<b>Cord Length</b>	6 FT.
<b>Shipping Dimensions</b>	28" W x 31" D x 37" H
<b>Shipping Weight</b>	180 LBS
<b>Agency Approval</b>	UL
<b>Refrigerant Type</b>	R600a

For comprehensive installation instructions, including panel overlay details, please visit [marvelrefrigeration.com](http://marvelrefrigeration.com) to access the owner's guide.

